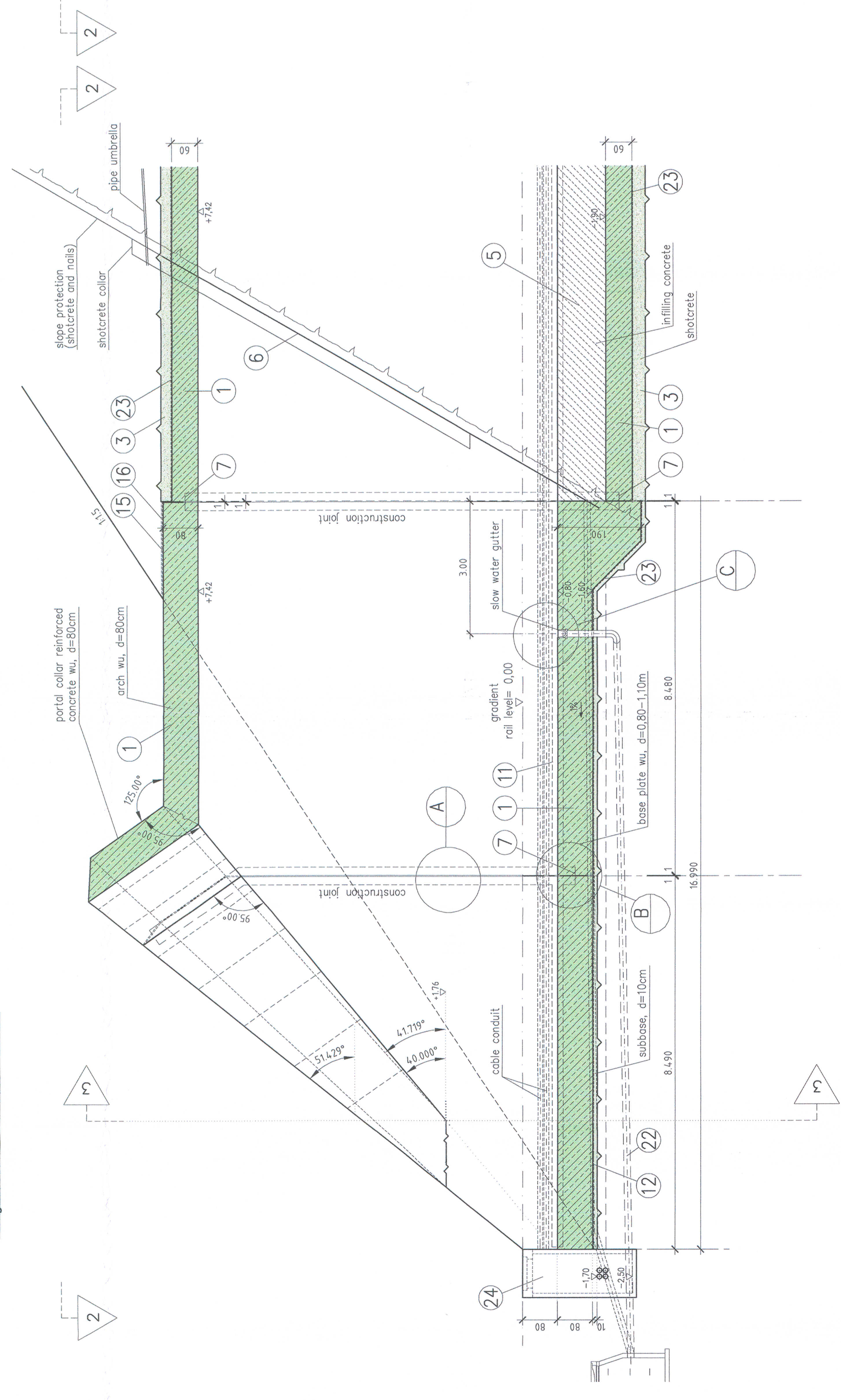
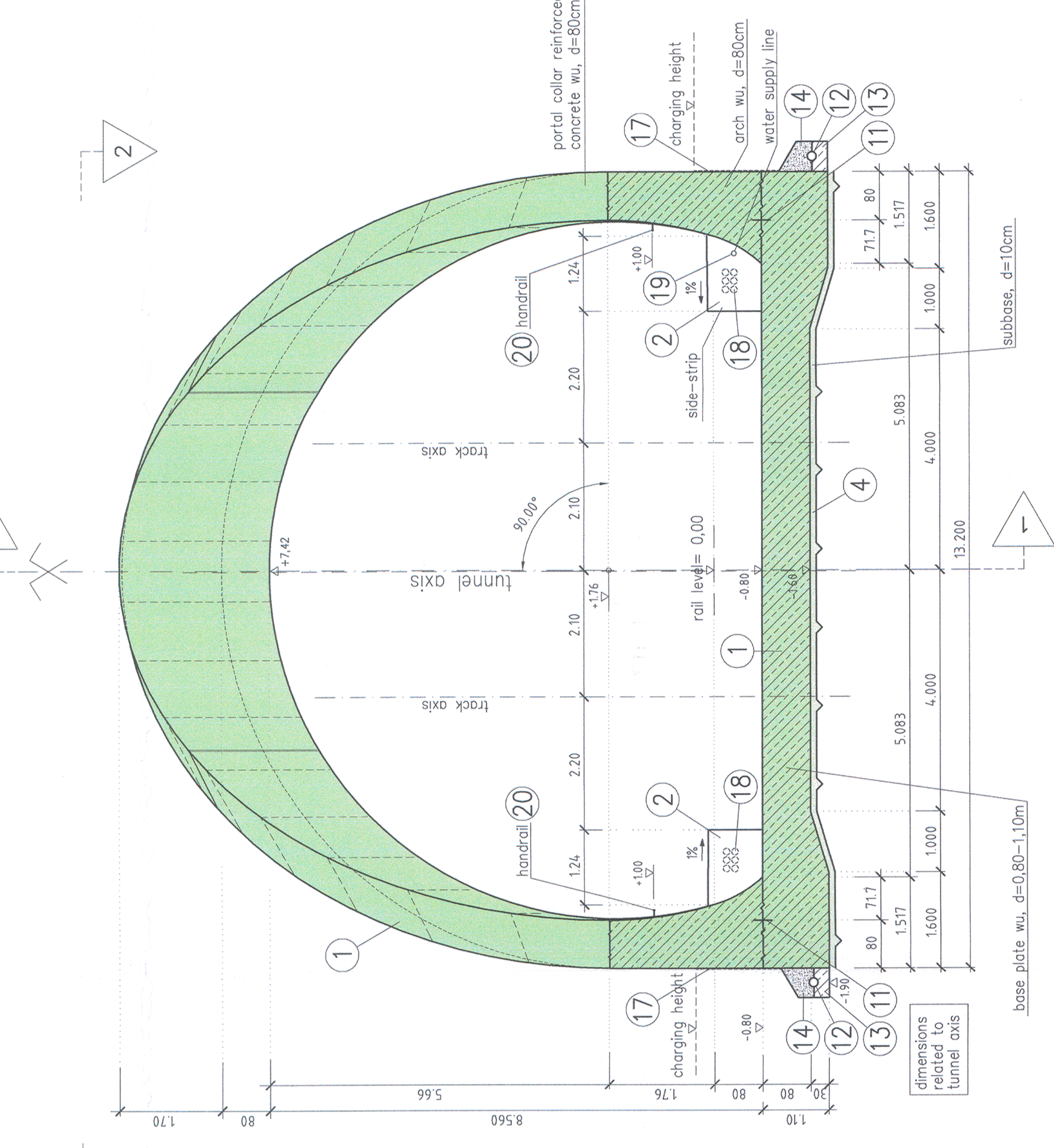


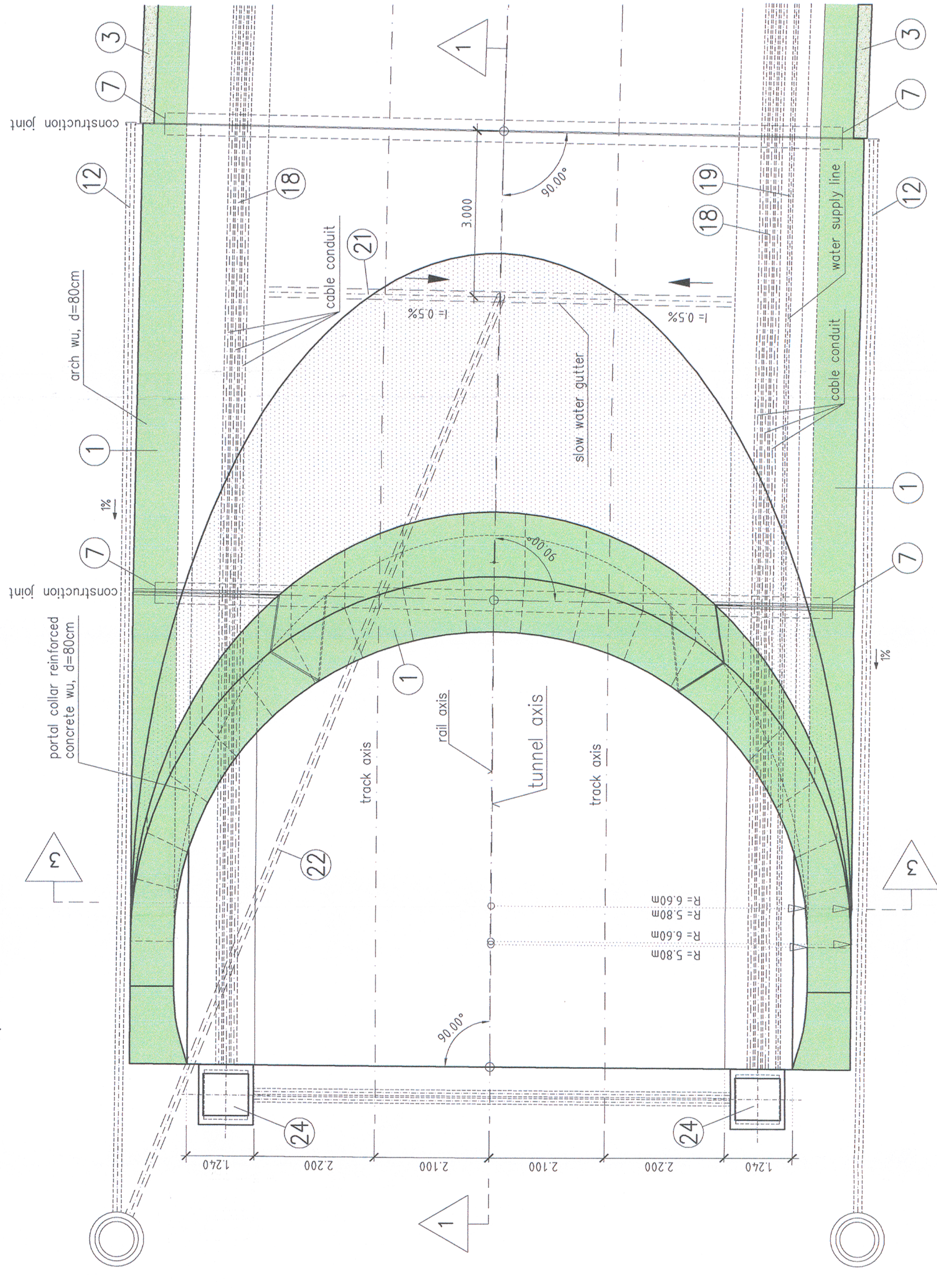
Longitudinal section M 1:50



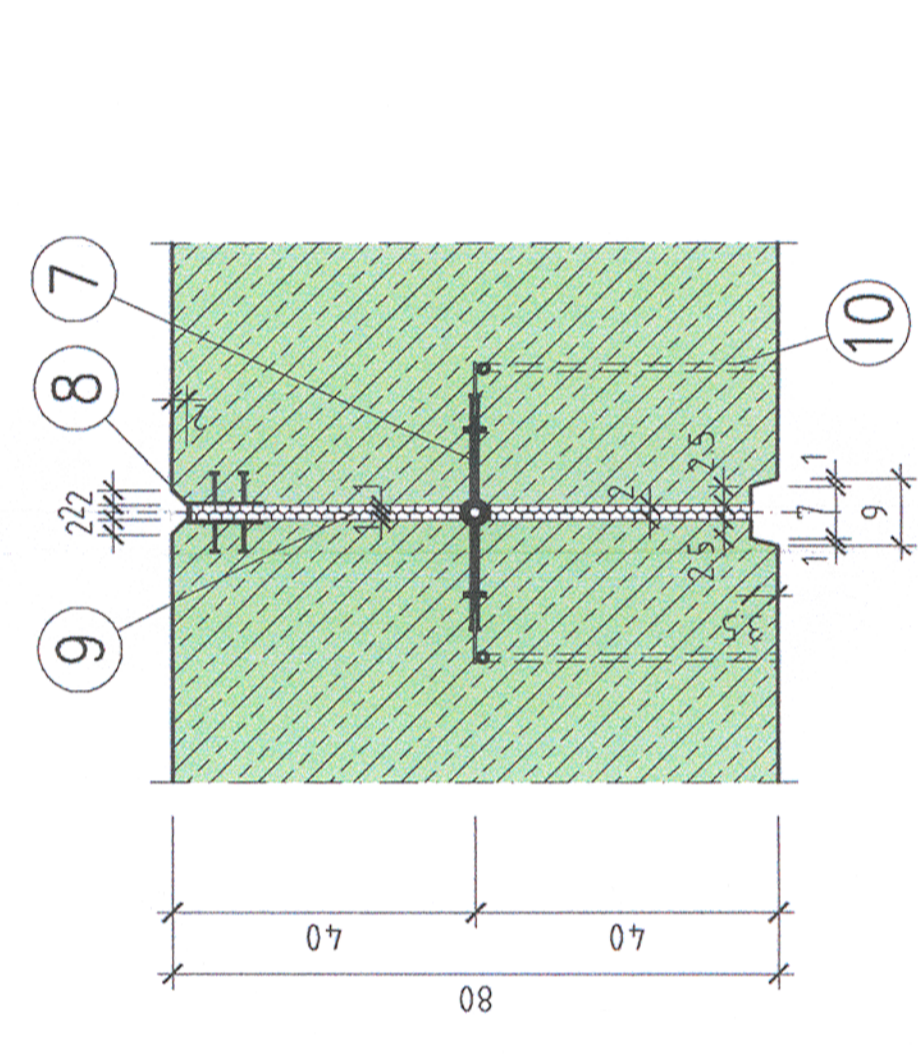
section M 1:50



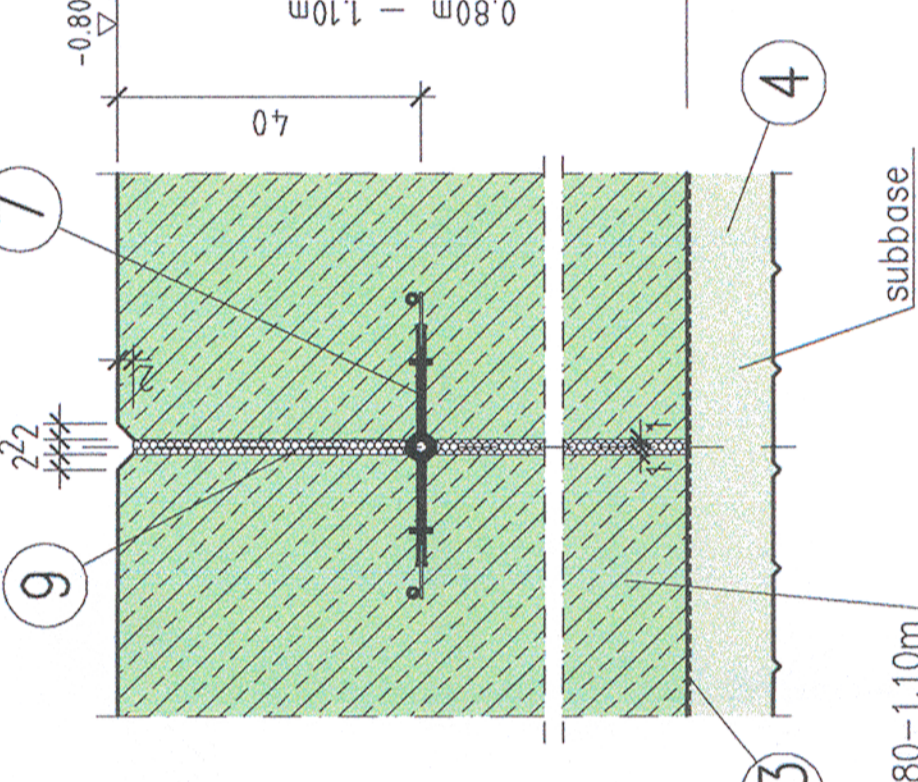
Top view M 1:50



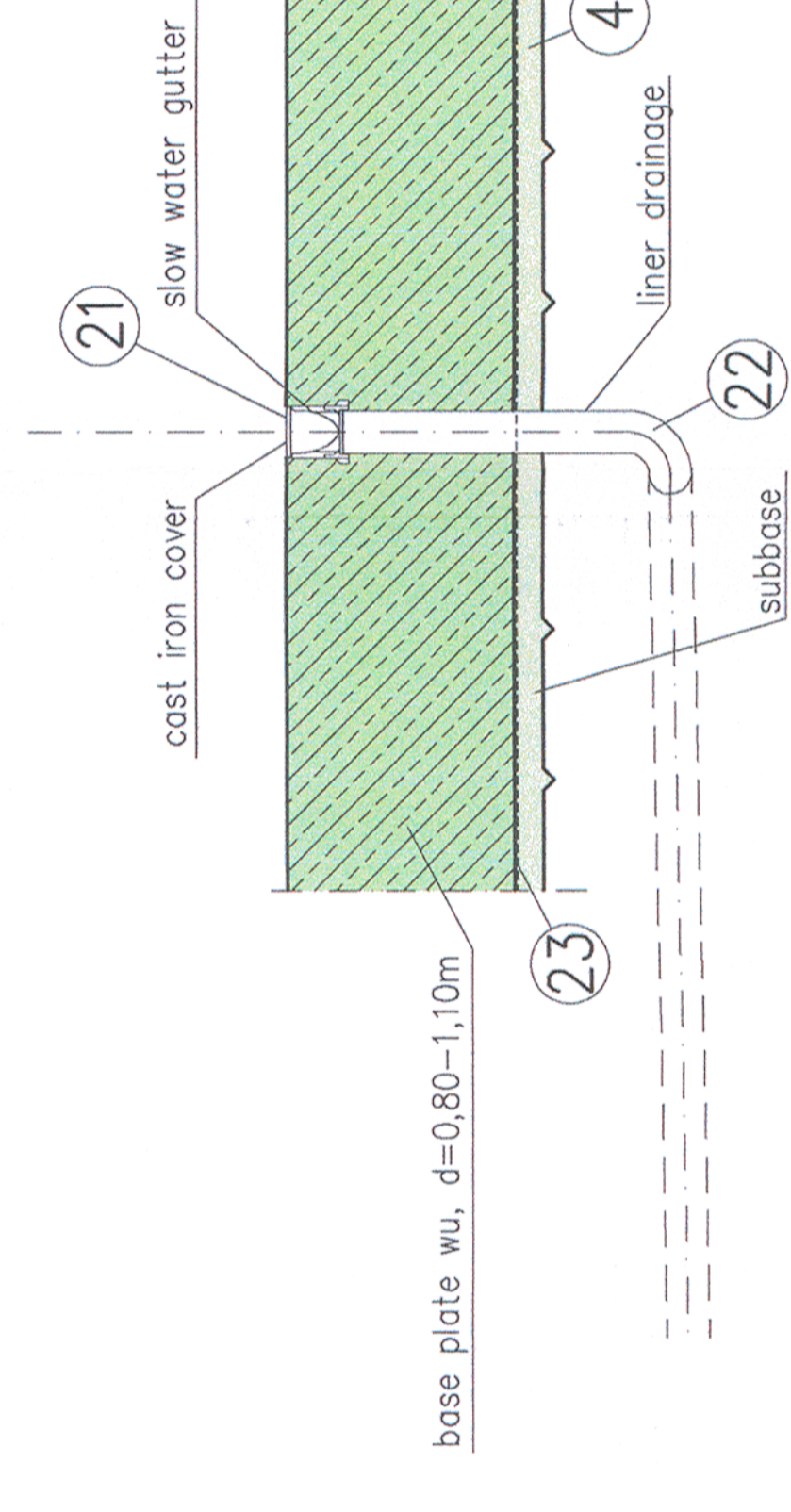
detail "A" M 1:10
design construction joint arch
open building method



detail "B" M 1:10
design construction joint base plate
open building method

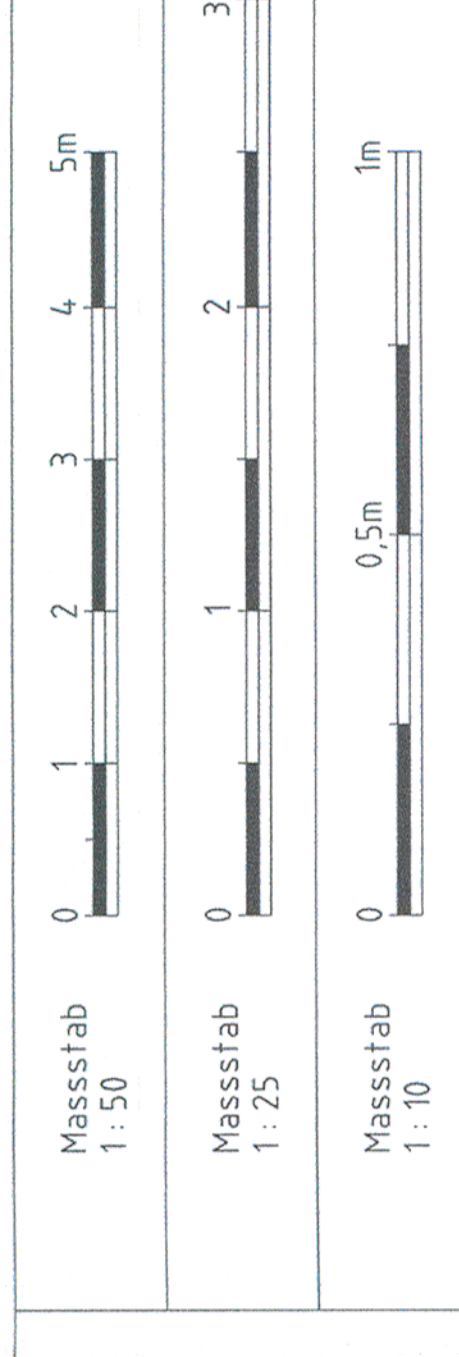


detail "C" M 1:25



Legend:

1. watertight (wu) reinforced concrete for base plate, arch, portal collar, class C30/37; XC4, XF2, XA1; structural steel BST 500S/M
2. concrete for side-strip, class C25/30; XC3, XF2, XA1, structural steel BST 500S/M
3. shotcrete, class C25/30; XF1, structural steel BST 500S/M
4. subbase, class C17/15; X0
5. infilling concrete, class C25/30; XC2, XF2, XA1
6. shotcrete shell made of reinforced concrete, class C25/30; XF1, structural steel BST 500S/M
7. waterstop FMS 400 with steel plates
8. coping joint FK 1073
9. joint filler, mineral fibre mat 20 mm
10. injection tubes
11. steel toggle 300 x 2 mm
12. drainage pipe PEHD DN 150, slotted (120°)
13. drain foundation, plain concrete C16/20
14. draining gravel, sort 7/31
15. welded bitumen sheet, 2 layers
16. protective concrete, reinforced, C25/30, d=6 cm
17. bituminous paint, 2 layers
18. pipes for cables, PEHD, DN 110
19. water supply line, PEHD, DN 80 (fire line)
20. handrail
21. slow water gutter with cast iron cover
22. liner drainage DN 150
23. plastic sheet
24. cable shaft 1,10 x 1,00 m



REV.	DATE	BY	NAME	KIND OF CHANGE

Contractor / Consultant	Investment Bank	Beneficiary / Beneficiary	Beneficiary / Beneficiary
Signature	Signature	Signature	Signature

PROIECTANT / DESIGNER:	
------------------------	--

Approval	Team leader	Data Date	Signature
Approved	C. Teodorescu	08/2013	
Checked	M. Diegmann	08/2013	
Approved	J. Werfing	08/2013	
Project Designer	D. Ciutaru	08/2013	

Project 9/	35311.1

Portals	
---------	--

Scale / Scale	

--	--